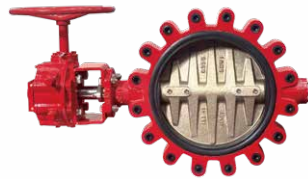
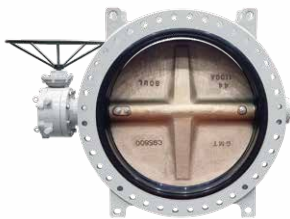




Valves You Can Trust !



CONTACT US

📍 Head Office & Factory

#279, Mieumsandan-ro, Gangseo-gu,
Busan, Republic of Korea, 46744

☎ +82-051-711-9790

✉ +82-051-711-9793

✉ gmtv@gomotec.com

🌐 www.gomotec.com



New Changes and Challenges

Thank you very much for your special interest and cooperation in GOMOTEC Co., Ltd.

GOMOTEC is the best valve manufacturer ranked in the top grade and specializes in manufacturing butterfly valves and check valves required for pipeline work in various industries such as shipbuilding, oil & gas, desalination & power plant, petro-chemical and water treatment.

Based on a culture of elegance and creative enterprise through customer trust, we would like to maximize the value of the enterprise by developing the core competencies of the business and start a new challenge for the next 100 years.

We thinking that customers are the source of corporate value, we will constantly change and innovate to be a company that share the future with customers.

We will do our best to give back to the customer with highest value through constantly change and innovation.

President *Jerry Youn*

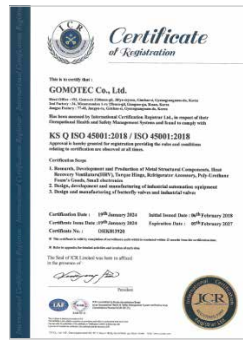
CERTIFICATION



ISO 9001:2015



ISO 14001:2015



ISO 45001:2018



UL 1091:2022
Certificate of Compliance
(Butterfly Valves)



ABS 2-PDA Certificate
(Check Valves)



ABS 2-PDA Certificate
(General & Fire safety type
Butterfly Valves)



LR Type Approval Certificate
(General & Fire safety type
Butterfly Valves)



DNV Type Approval Certificate
(General & Fire safety type
Butterfly Valves)



API Monogram
609-0323



API 607 Fire Safety
Certification (WCB)



API 607 Fire Safety
Certification (CF8M)

CLIENT QUALIFICATIONS



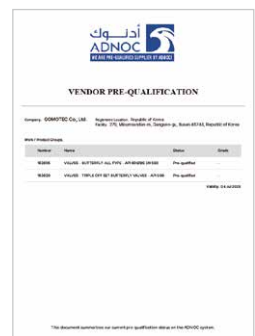
Achilles Certified Supplier
(MEA Region)



Registered as the qualified
supplier of KOSPO, KOWEPO,
KOMIPO, EWP, KOSEP



Approved Vendor of
PETRONAS Malaysia



Approved Vendor of
ADNOC

HISTORY

- 2026** ◆ Registered as the qualified supplier of KOSPO, KOWEPO, KOMIPO, EWP, KOSEP
Expanded ABS / LR / DNV Type Approval (Fire Safety Butterfly Valves)
Approved Vendor of PETRONAS Malaysia
Approved Vendor of ADNOC
- 2025** ◆ Registered Supplier in Achilles MEA (Middle East & Africa) Network
Acquired API Monogram Certification
Acquired Type Approvals ABS / LR / DNV
Acquired UL-1091 Certificate
Acquired API 607 Fire Safety Certification - CF8M / WCB (TÜV)
Approved Vendor of Doosan Enerbility
Approved Vendor of Samsung Heavy Industry
- 2024** ◆ 2nd plant relocated and expanded in Mieum-dong, Busan
- 2023** ◆ Acquired DKV (established valve division in Gomotec)
- 2012** ◆ OHSAS 18001 Health & Safety Certification
- 2006** ◆ KSA ISO 14001:2004 Certification
- 2005** ◆ Recognized as INNO-BIZ (Innovation Business) by SMBA
R&D Center certified by Korea Industrial Technology Association
- 2002** ◆ Constructed new factory and relocated HQ to Jinrye, Gimhae
- 2001** ◆ KSA/ISO 9001 Certified by KMA Registration
- 1999** ◆ Spun off from LG Electronics' Refrigerator Division
Established Gomotec Co., Ltd.

MAJOR CLIENTS

DOMESTIC



OVERSEAS



PRODUCTS LINE UP

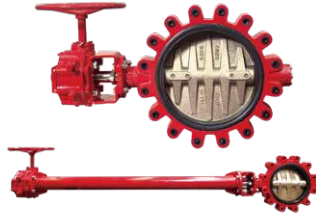
Since its establishment in 2002, GMT has consistently strived to develop and improve quality in various kinds of valve. As a result, we have grown and developed as a leader in the valve industry.

BUTTERFLY VALVES



Concentric Rubber Seated Butterfly Valves

7 page



Concentric Vulcanized Rubber Seated Butterfly Valves (UL Cert.)

9 page



Double Offset High-Performance Teflon Seated Butterfly Valves

10 page



Double Offset Cargo Oil Rubber Seated Butterfly Valves

12 page



Triple Offset Metal Seated Butterfly Valves

14 page



Double Offset Disc Rubber Seated Butterfly Valves

16 page



Cryogenic Butterfly Valves

18 page



Cryogenic Dual Plate Check Valves

20 page



Cryogenic Nozzle Check Valves

21 page

CHECK VALVES

Concentric Rubber Seated Butterfly Valves



The concentric butterfly valves' feature is a symmetrical disc design, ensuring favourable flow characteristics, and low pressure-drop. The concentric shaft ensures low operating torque. Concentric butterfly valves can be manufactured with sizes up to 1,800mm, with replaceable rubber seat, with various kind of materials.

The valves shall be capable of bi-directional flow with bubble tight shut-off at full rating pressure.

The unique seat design with retaining points, virtually eliminates any seat movement during open / close operation of the disc. A PTFE / PFE lined body is also available for chemically high-corrosive fluid conditions.



STANDARD COMPLIANCE

- Concentric butterfly valves conform to ISO 5752, KS V 7490, JIS F 7480, JIS B 2032, JIS B 2064, API 609, BS 5155, DIN 2501

PRODUCTION RANGE

- Valve Size : 40mm (1-1 / 2 in) ~ 1,800mm (72 in)
- Rating Temperature : -20°C ~ +80°C
- Working Pressure : up to 16 bar

APPLICABLE FLANGE

- KS / JIS 5K / 10K / 16K
- ASME B16.1 CLASS 125, ASME B16.5 CLASS 150
- ASME B16.47 Series A / B CLASS 150
- BS EN 1092-1 PN6 / PN10 / PN16
- AWWA C207 CLASS B / D / E

Concentric Rubber Seated Butterfly Valves

SCHEMA OF CONCENTRIC TYPE

The valves shall be a 90° turn clockwise to close, no-jamming, and resilient seated valve for zero leakage service. The valves shall be torque seated and designed in such a manner that the disc can not be rotated the seat without the actuator. Also these valves enable the fluid perfect shut-off regardless of the flow direction.

- Symmetric disc design ensures favourable flow characteristics and low pressure drop
- Concentric shaft ensures low operating torque
- Lining gives a good protection to valve body and acts as flange gasket
 - Shaft penetrates the valve seat
 - Limited choice of seating materials(Elastomer only)

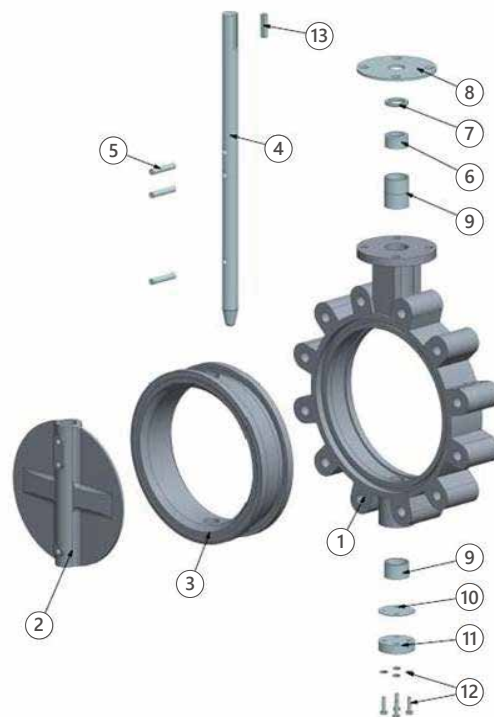
OPERATIONS

The following operation of the valve is possible depending on the valve location, the type of work and service of the valve to be provided.

- Manual lever operation
- Manual worm gear operation
- Hydraulic actuator operation
- Electric motor actuator operation
- Single or double acting pneumatic actuator operation

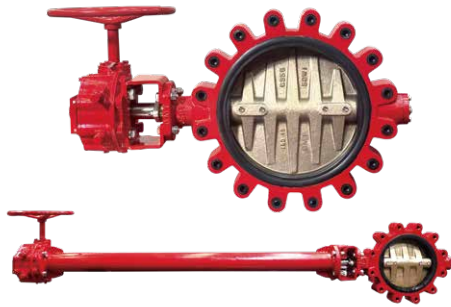
PARTS LIST

NO	PART NAME	MATERIAL
1	BODY	Cast iron, Ductile iron, Stainless steel, Carbon steel (Nickel) Aluminum bronze
2	DISC	Stainless steel, Alloy steel (Nickel) Aluminum bronze
3	SEAT	NBR, VITON, SILICON
4	STEM	Stainless steel, Monel, Duplex
5	DISC PIN	Stainless steel, Monel, Duplex
6	PACKING	Rubber same as seat material
7	PACKING GLAND	PTFE
8	GLAND FLANGE	Stainless steel, Steel
9	BEARING	Steel+PTFE, Stainless steel+PTFE
10	BOTTOM GASKET	GRAPHITE
11	BOTTOM COVER	Carbon steel, Stainless steel, Al-Bronze, Mild steel
12	BOLT & WASHER	Steel, Stainless steel
13	KEY or SQUARE	Mild Steel, if necessary



Concentric Vulcanized Rubber Seated Butterfly Valves (UL Cert.)

GMT has obtained UL certificate for concentric butterfly valves from Underwriters Laboratories Inc., USA. It allows application and authorization of UL mark to its product of concentric butterfly valves. This certificate would be needed to verify valve application specifically to fire-protection service industry. GMT has become one of reputable valve maker to serve where industry requires high quality valves with obtained certification.



STANDARD COMPLIANCE

- Concentric vulcanized rubber seat butterfly valves conform to UL 1091, ISO 5752, API 609.

APPLICABLE FLANGE

- ASME B16.5 CLASS 150

PRODUCTION RANGE

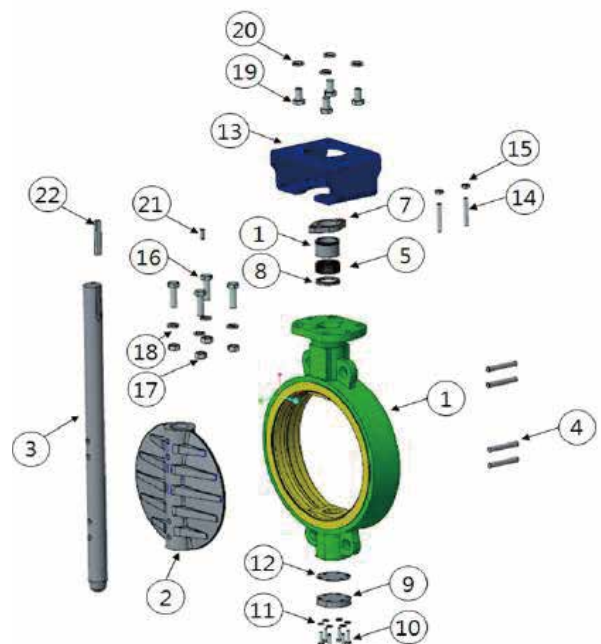
- Valve Size : 80mm (3in) ~ 600mm (24in)
- Rating Temperature : -20°C ~ +80°C
- Working Pressure : up to 18 bar

OPERATIONS

- Manual worm gear operator

PARTS LIST

NO	PART NAME	MATERIAL
1	BODY & SEAT	Carbon Steel & NBR, EPDM, VITON
2	DISC	Nickel Aluminum bronze
3	SHAFT	Stainless steel, Monel, Duplex
4	SHAFT PIN	Stainless steel, Monel, Duplex
5	GLAND PACKING	NBR, EPDM, VITON
6	GLAND BUSH	Teflon
7	GLAND FLANGE	Stainless steel
8	GLAND FLANGE	Bronze
9	END COVER	Carbon Steel
10	END COVER BOLT	Stainless steel
11	END COVER WHASHER	Stainless steel
12	END COVER GASKET	GRAPHITE
13	BRACKET	Carbon Steel
14	GLAND BOLT	Stainless steel
15	GLAND NUT	Stainless steel
16	BRACKET BOLT	Stainless steel
17	BRACKET NUT	Stainless steel
18	BRACKET WHASHER	Stainless steel
19	ACT. BOLT	Stainless steel
20	ACT. WHASHER	Stainless steel
21	BRACKET LOCK PIN	Stainless steel
22	KEY	S45C



Double Offset High-Performance Teflon Seated Butterfly Valves



High performance butterfly valves are widely used in product and chemical tankers, offshore / on shore to NACE MR0175, oil and gas field chemical, petrochemical plants, and high pressure piping system.

The valves are complied with API 607 edition 4 fire safety standards. Adoption of soft PTFE seat gives flexibility and secures long life, even with frequent operation. The soft seated valves shall be capable of bi-directional flow and provide bubble tight shut-off at full rated pressure.



STANDARD COMPLIANCE

- The face-to-face dimension shall be in accordance with API 609, ISO 5752, KS V 7490, JIS F 7480
- BS 5155 or MSS SP-68

PRODUCTION RANGE

- Valve Size : 50mm (2in) ~ 2,000mm (80in)
- Working Temperature (soft seat) : -20°C ~ +250°C
- Working Temperature (metal seat) : -100°C ~ +650°C
- Working Pressure : up to 50 bar

APPLICABLE FLANGE

- KS / JIS 5K / 10K / 16K
- ASME B16.1 CLASS 125, ASME B16.5 CLASS 150
- ASME B16.47 Series A / B CLASS 150
- BS EN 1092-1 PN6 / PN10 / PN16
- AWWA C207 CLASS B / D / E

Double Offset High-Performance Teflon Seated Butterfly Valves

THE HIGH PERFORMANCE DESIGN

- The axis of disc rotation is double eccentric offset to the seat ring.
- When the disc rotates, it unseats a small turning angle by the cam effect.
- This prevents seat abrasion and provides perfect seal for a long period.

APPLICATION OF PIPING SYSTEM

- This product is of heavy load designed for high pressure flow application.
- Marine tankers-shipbuilding
- Offshore / Onshore plants, Oil / gas production platform
- Chemical and petro-chemical plants
- Military application
- Fire safe piping system

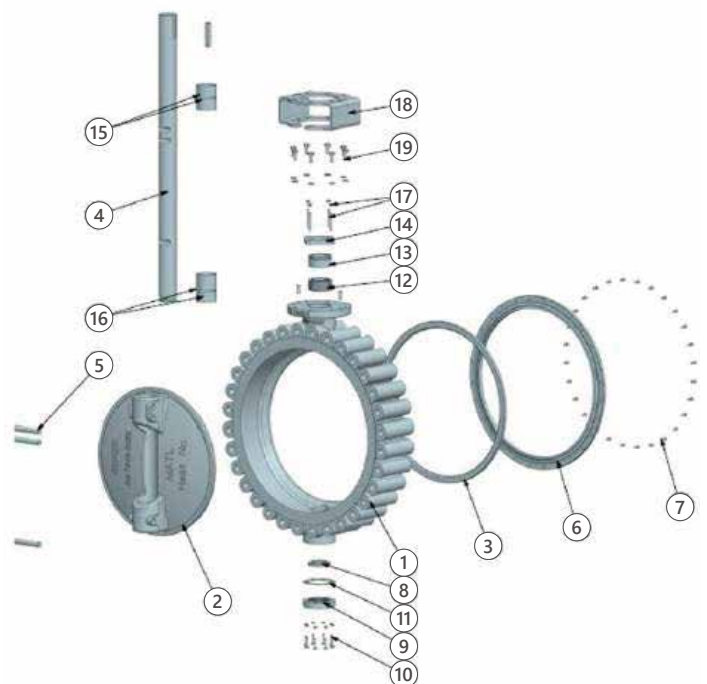
OPERATIONS

The valve shall be operated with the following actuators which are selected depending on the valve location, type of work, and service conditions.

- Manual lever operation
- Manual worm gear operation
- Hydraulic actuator operation
- Electric motor actuator operation
- Single or double acting pneumatic actuator operation

PARTS LIST

NO	PART NAME	MATERIAL
1	BODY	Cast iron, Ductile iron, Stainless steel, Al-Bronze
2	DISC	Cast steel, Stainless steel, Al-Bronze
3	SEAT	Stainless steel, Steel, Teflon, Rubber
4	STEM	Stainless steel, Monel, Duplex
5	DISC PIN	Stainless steel, Monel, Duplex
6	RETAINER	Stainless steel, Al-Bronze
7	RETAINER BOLT	Stainless steel
8	THRUST PLATE	Bronze, Stainless steel
9	BOTTOM COVER	Mild steel, Stainless steel, Al-Bronze
10	BOTTOM BOLT	Stainless steel, Mild steel
11	BOTTOM GASKET	Teflon, Graphite, Rubber
12	GLAND PACKING	Teflon, Graphite, Rubber
13	GLAND BUSH	Stainless steel, Bronze
14	PACKING GLAND	Stainless steel, Mild Steel, Bronze
15	STEM BEARING	Stainless steel + Teflon
16	BOLT & NUT	Stainless steel
17	BRACKET NUT	Stainless steel
18	BRACKET	Stainless steel
19	BRACKET BOLT	Stainless steel



Double Offset Cargo Oil Rubber Seated Butterfly Valves



The double offset rubber seated butterfly valves' feature is a heavy loaded design for high-pressure and high flow-rate applications. They have been widely adopted for oil and gas valves in oil tankers, FRSO onshore / offshore field and high flow-rate piping systems. The delicate design of the seat ring keeps the retainer free from any pressure from flanges on adjacent pipes, misaligned flanges or flexibility in the pipes. Moreover, it minimized the foreign articles remained on the seat in order to reduce damage of seat ring. The valves shall be capable of bi-directional flow and provide bubble tight shut-off at full rated pressure.



STANDARD COMPLIANCE

- The face-to-face dimension shall be in accordance with KS V 7490, JIS F 7480

PRODUCTION RANGE

- Valve Size : 50mm (2in) ~ 1,000mm (40in)
- Working Temperature : -20°C ~ +250°C
- Working Pressure : up to 50bar

APPLICABLE FLANGE

- KS / JIS 10K / 16K / 20K / 30K
- ASME B16.5 CLASS 150 / 300
- ASME B16.47 Series A / B CLASS 150 / 300

Double Offset Cargo Oil Rubber Seated Butterfly Valves

THE HIGH-PERFORMANCE DESIGN

Applicable for butterfly valve with interchangeable soft seat

- Circular unbroken seats on disc and body.
- Simple maintenance.
- Change of seat ring by dismantling of the retaining ring only.
- Wide variety of seat materials available.

APPLICATION

It is provided of heavy load designed for high pressure and high-flow rate application.

- Crude oil and product oil piping system
- Fuel oil and Diesel oil system
- Sea water system
- Cargo tank Venting and Inert gas system
- Tank cleaning system
- Other piping system where applicable

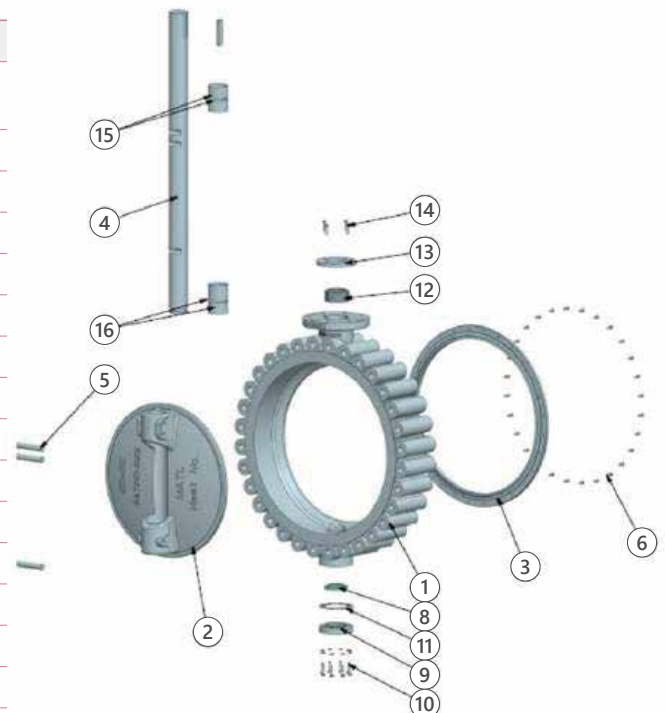
OPERATIONS

The valve shall be operated with the following actuators which selected depending on location of valve, the type of work and service for which the valve is used.

- Manual lever operation
- Manual worm gear operation
- Hydraulic actuator operation
- Electric motor actuator operation
- Single or double acting pneumatic actuator operation

PARTS LIST

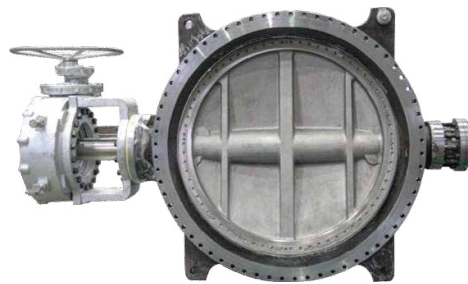
NO	PART NAME	MATERIAL
1	BODY	Cast iron, Ductile iron, Stainless steel, Al-Bronze
2	DISC	Cast steel, Stainless steel, Al-Bronze
3	SEAT+RETA INER	Stainless steel, Steel + Rubber
4	STEM	Stainless steel, Monel, Duplex
5	DISC PIN	Stainless steel, Monel, Duplex
6	RETAINER BOLT	Stainless steel
8	THRUST PLATE	Bronze, Stainless steel
9	BOTTOM COVER	Mild steel, Staninless steel, Al-Bronze
10	BOTTOM BOLT	Stainless steel, Mild steel
11	BOTTOM GASKET	Teflon, Graphite, Rubber
12	GLAND PACKING	Stainless steel, Bronze
13	GLAND BUSH	Teflon, Graphite, Rubber
14	GLADN BOLT	Stainless steel
15	STEM BEARING	Stainless steel + Teflon
16	STEM BEARING	Stainless steel + Teflon



Triple Offset Metal Seated Butterfly Valves



The triple offset metal seated butterfly valves are widely used in plant, shipbuilding and high pressure & temperature in piping system. The metal seat shall be consisted of softer graphite laminated seat and hard solid seat. The valves shall be available of bi-directional flow bubble tight shut-off at full rated.



STANDARD COMPLIANCE

- Face-to-face dimensions conform to API 609, ISO 5752, DIN 3203, MSS SP-68, JIS F 7480, JIS B 2031, KS V 7490.
- Fire-safe design shall be in accordance with API 607, API 6FA and BS 6755.
- Compatible with machinery protection systems according to API 670.

PRODUCTION RANGE

- Valve Size : 80mm (3in) ~ 3,100mm (124in)
- Working Temperature : -196°C ~ 650°C
- Working Pressure : up to 255 bar

CLASSIFICATION BY CONNECTION

- Wafer type : The valve to be installed with long bolts between the flanges at adjacent pipe without on the valve.
- Lug type : A pair of thread bolt holes to be provided upper and lower side in order to hold the valve.
- Flange type : Both end with complete flange suitable to connect with general pipe flange.

APPLICABLE FLANGE

- ASME B16.5, ASME B16.47 Series A / B, Class 150 / 300 / 600 / 900 / 1500
- KS / JIS 5K / 10K / 16K / 20K / 30K / 40K / 63K
- BS EN 1092-1 PN6 / PN10 / PN16 / PN25 / PN40 / PN63 / PN100
- AWWA C207 CLASS B / D / E

APPLICATION

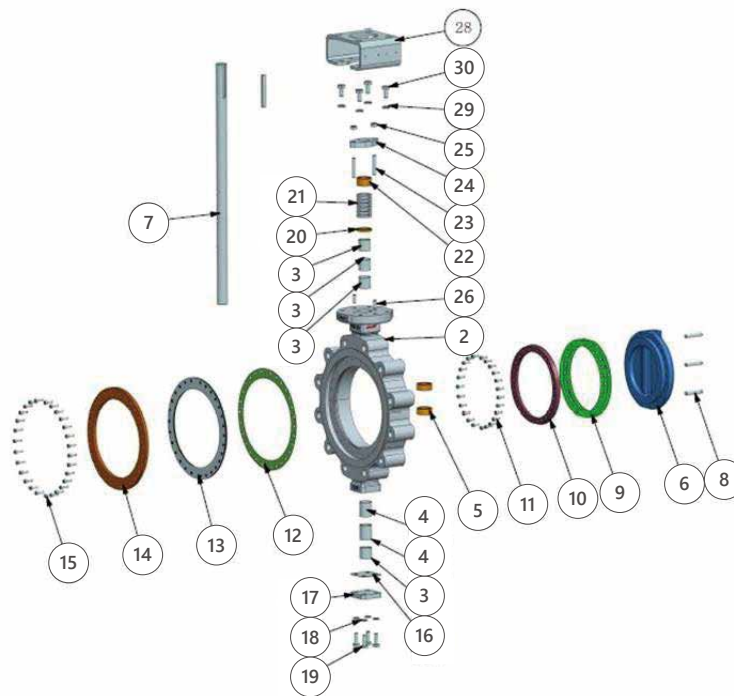
- Petroleum refinery
- Petrochemical plants
- Nuclear power plants
- Fossil power plants
- Cryogenic service
- Fire safe line
- Exhaust gas line & Steam line

Triple Offset Metal Seated Butterfly Valves

OPERATIONS

The choice of operation depends on the valve location and the type of work and service for which the valve is provided.

- Manual lever operation
- Manual worm gear operation
- Hydraulic actuator operation
- Electric motor actuator operation
- Single or double acting pneumatic actuator operation



PARTS LIST

NO	PART NAME	MATERIAL
2	BODY	Cast steel, Stainless steel, Ni-Al-Bronze
3	BEARING	Steel+PTFE, Stainless steel+PTFE
4	BEARING	Steel+PTFE, Stainless steel+PTFE
5	THRUST BEARING	Stainless Steel, Duplex
6	DISC	Cast steel, Stainless steel, Ni-Al-Bronze
7	SHAFT	Stainless steel, Monel, Duplex
8	SHAFT PIN	Stainless steel, Monel, Duplex
9	GASKET, DISC SEAT	Graphite
10	DISC SEAT	Stainless Steel, Duplex, Monel
11	DISC SEAT BOLT	Stainless steel
12	GASKET, BODY SEAT	Graphite
13	BODY SEAT	Stainless Steel, Duplex, Monel+Graphite Laminated
14	BODY SEAT RETAINER	Stainless steel
15	BODY SEAT BOLT	Graphite

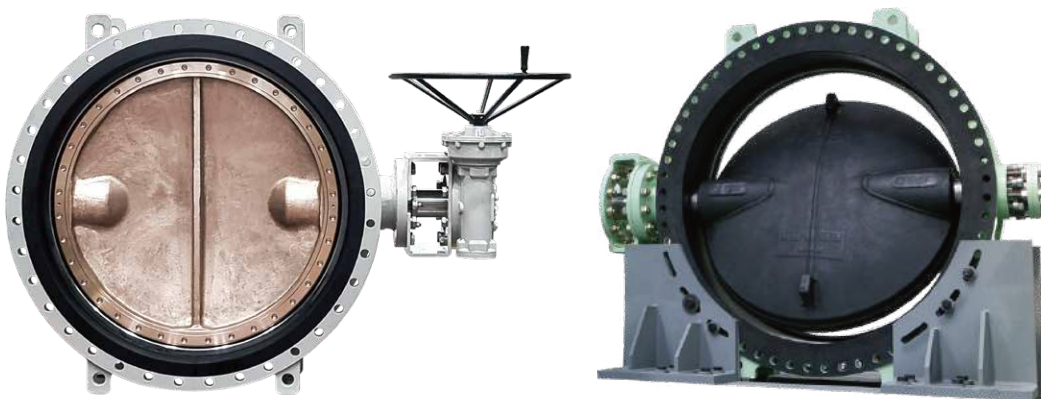
NO	PART NAME	MATERIAL
16	END COVER GASKET	Graphite
17	END COVER	Steel, Stainless steel
18	END COVER WASHER	Steel, Stainless steel
19	END COVER BOLT	Steel, Stainless steel
20	PACKING RETAINER	Stainless steel
21	PACKING	Graphite
22	GLAND BUSH	Stainless steel
23	GLAND BOLT	Steel, Stainless steel
24	GLAND FLANGE	Stainless steel
25	GLAND NUT	Steel, Stainless steel
26	BRACKET LOCK PIN	Stainless steel
27	KEY	S45C
28	BRACKET	Steel, Stainless steel
29	BRACKET WASHER	Steel, Stainless steel
30	BRACKET BOLT	Steel, Stainless steel

Double Offset Disc Rubber Seated Butterfly Valves



With a wide range of production, up to 4,000mm in size, the double offset butterfly valves are developed for applications in waterworks, power plants, desalination plants and other similar industrial plants, with compliance to AWWA C-504, BS 5155 J IS B2064. They are available in a variety of body and disc materials. Rubber linings, epoxy coating and cathodic protection are available for installation in corrosive atmospheric conditions.

The disc seat design facilitates easy replacement of the seat and maintains seat pressure of up to 40bar. Since the disc seated butterfly valves are capable of manual or remote operation, electric and pneumatic actuators can be provided according to client's requirements. The valves shall be capable of bi-directional flow and provide bubble tight shut-off at full rated pressure.



STANDARD COMPLIANCE

- Face-to-face dimensions conform to KS, JIS, BS, AWWA, and DIN standards. (specific standards available upon request)
- Hard or soft rubber lining for body and disc is available upon request.

PRODUCTION RANGE

- Valve Size : 200mm (8in) ~ 4,000mm (160in)
- Working Temperature : -40°C~ +230°C
- Working Pressure : up to 50bar

APPLICABLE FLANGE

- KS / JIS 10K / 16K / 20K / 40K
- ASME B16.5, B16.47 Series A / B, CLASS 150 / 300
- AWWA C207 CLASS B / D / E
- BS EN 1092-1 PN6 / PN10 / PN16 / PN25 / PN40

Double Offset Disc Rubber Seated Butterfly Valves

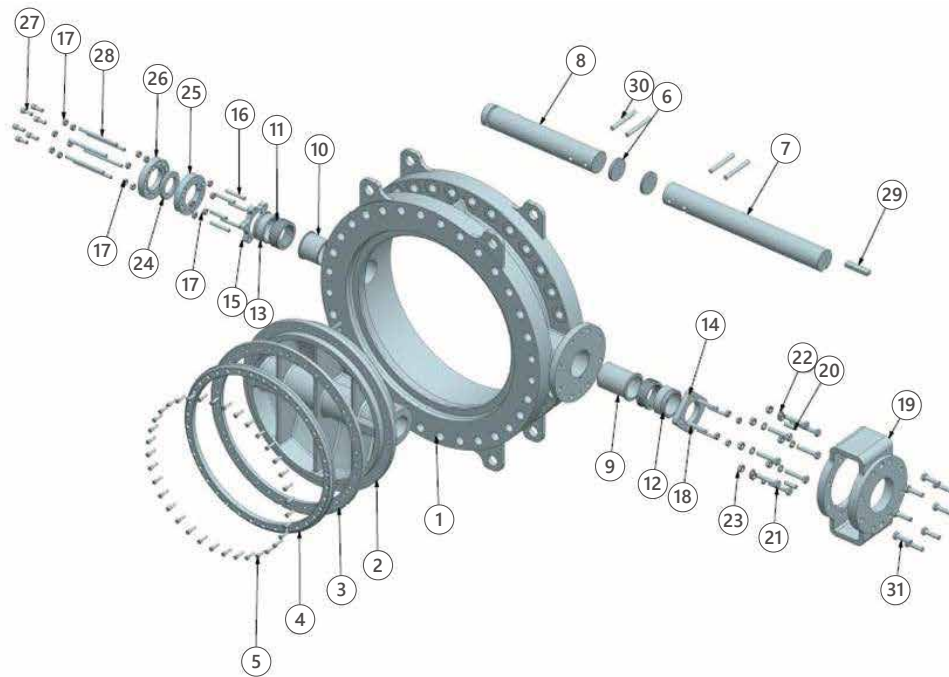
APPLICATION

- Desalination
- Power plant
- Others
- Salt water service
- Sea water

OPERATIONS

The choice of operation depends on the valve location and the type of work and service for which the valve is provided.

- Manual lever operation
- Manual worm gear operation
- Hydraulic actuator operation
- Electric motor actuator operation
- Single or double acting pneumatic actuator operation



PARTS LIST

NO	PART NAME	MATERIAL
1	BODY	Ductile iron, Cast steel, Stainless steel, Ni-AL Bronze
2	DISC	Ductile iron, Cast steel, Stainless steel, Ni-AL Bronze
3	DISC SEAT	NBR, EPDM, VITON
4	DISC SEAT RETAINER	Stainless steel, Ni-AL Bronze
5	RETAINER BOLT	Stainless steel, Monel
6	SHAFT SEAL	Stainless steel, Monel
7	MAIN STEM	Stainless steel, Monel, Duplex
8	STUB STEM	Stainless steel, Monel, Duplex
9	MAIN BUSH	Stainless steel, Bronze
10	STUB BUSH	Stainless steel, Bronze
11	GLAND PACKING	Teflon, Graphite
12	PACK ING BUSH (UPPER)	Stainless steel, Bronze
13	PACK ING BUSH (LOWER)	Stainless steel, Bronze
14	GLAND FLANGE (UPPER)	Stainless steel

NO	PART NAME	MATERIAL
15	GLAND FLANGE (LOWER)	Stainless steel
16, 17, 18, 28	GLAND BOLT, NUT	Stainless steel
19	BRACKET	Ductile iron, Cast steel
20	BRACKET LOCK PIN	Stainless steel
21, 22, 23	BRACKET BOLT, WASHER, NUT	Steel, Stainless steel
24	SHAFT RING	Stainless steel, Bronze
25	SHAFT RING HOLDER (UPPER)	Stainless steel
26	SHAFT RING HOLDER (LOWER)	Stainless steel
27	DISC RETAINER BOLT	Stainless steel, Monel
29	KEY	S45C
30	SHAFT PIN	Stainless steel, Monel, Duplex
31	ACTUATOR BOLT	Stainless steel

Cryogenic Butterfly Valves

Hazardous service conditions down on the temperatures as low as -196°C . The material used throughout are of austenite stainless steel which maintains its strength at low temperature and sealing system is a soft sealing, re safe type incorporating Kel-F ring inserts into disc which ensures trouble-free operation. The metal seated exchangeable triple offset or quadruple offset butterfly valves are available.

The valves are of extended bonnet construction to create an insulation gas column between the plastic stem packing and the cold fluid. The valves of butt-welding end has side entry maintenance system to make the replacement of sealing ring without removing the valves from the pipes. All valves are tested at cryogenic temperature which can examine the performance as critical as in an actual service condition.



STANDARD COMPLIANCE

- The face-to-face dimension shall be in accordance with ASME B16.10, JIS F 7310, and JIS F 7360 in general.
- The body is designed to API STD 609, ASME B16.34 JIS F 7310, 7360 in general.

APPLICABLE FLANGE

- ASME B16.5, B16.47 Series A / B, CLASS 150 / 300 / 600 / 900 / 1500
- KS / JIS 5K / 10K / 16K / 20K / 30K / 40K / 63K
- BS EN 1092-1 PN6 / PN10 / PN16 / PN25 / PN40 / PN63 / PN100
- AWWA C207 CLASS B / D / E
- ASME B16.25 (Buttweld)

PRODUCTION RANGE

- Valve Size : 100mm (4in) ~ 1,500mm (60in)
- Design Temperature : -196°C ~ $+650^{\circ}\text{C}$
- Working Pressure : up to 255 bar

APPLICATION

- Gas carrier (liquefied propane gas, butane, acetylene, ethylene liquefied natural gas, etc.)
- Receiving terminal
- Liquefied oxygen(-160°C) plants

VALVE DESIGN

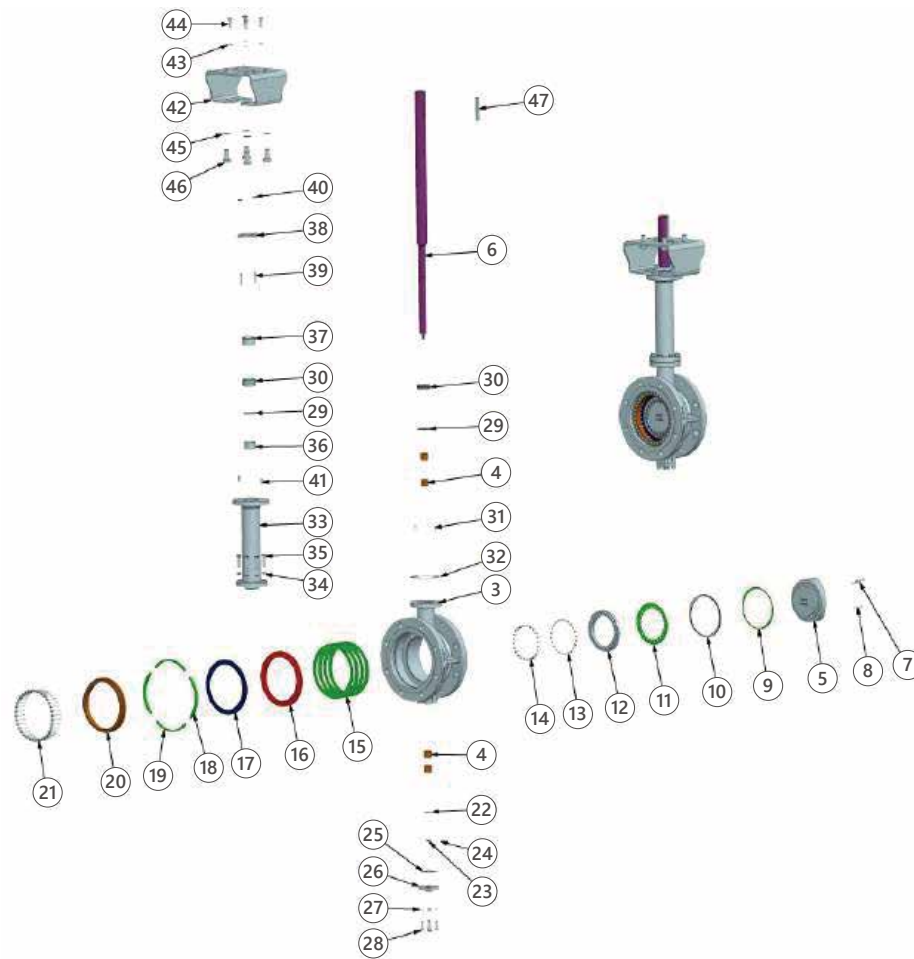
- Bi-directional design.
- With butt-welding ends or flanged ends
- Triple offset seat.
- Valve may be fitted in any orientation
- Standard compliance : BS 6364 valves for cryogenic service
- Extended bonnet / shaft for safe access

OPERATIONS

The following operation of the valve is available, the choice depends on the valve location and the type of work and service for which the valve is used.

- Manual lever operation
- Manual worm gear operation
- Hydraulic actuator operation
- Electric motor actuator operation
- Single or double acting pneumatic actuator operation

Cryogenic Butterfly Valves



PARTS LIST

NO	PART NAME	MATERIAL
3	BODY	ASTM A351 CF8M
4	BEARING	STA INLESS STEEL 316 + PTFE
5	DISC	ASTM A351 CF8M
6	SHAFT	ASTM A479 XM-19
7	PIN, UPPER	ASTM A479 XM-19
8	PIN, LOWER	ASTM A479 XM-19
9	GASKET, DISC SEAT, BTM	GRAPHITE
10	DISC SEAT	ASTM A240 316
11	GASKET, DISC SEAT, TOP	GRAPHITE
12	COVER, DISC SEAT	ASTM A240 316
13	SPRING WASHER	STAINLESS STEEL 316
14	SOCKET HEAD BOLT	ISO 3506 A4(AISI 316)
15	GASKET, BODY SEAT, BTM	GRAPHITE
16	BODY SEAT	ASTM A240 316
17	COVER, BODY SEAT	ASTM A240 316
18	RING, LOCK, L & R	ASTM A240 316
19	RING, LOCK, T & B	ASTM A240 316
20	RETAINER	ASTM A240 316
21	REATINER BOLT	ISO 3506 A4(AISI 316)
22	SHAFT SUPPORTER	ASTM A240 316
23	LOCK NUT	ISO 3506 A4(AISI 316)
24	SET SCREW	ISO 3506 A4(AISI 316)
25	GASKET, END COVER	GRAPHITE

NO	PART NAME	MATERIAL
26	END COVER	ASTM A240 316
27	SPRING WASHER	STAINLESS STEEL 316
28	HEX HEAD BOLT	ISO 3506 A4(AISI 316)
29	PACKING RETAINER	ASTM A240 316
30	GLAND PACKING	GRAPHITE
31	BRACKET LOCK PIN	ASTM A276 316
32	GASKET, BONNET	GRAPHITE
33	EXTENDED BONNET	ASTM A351 CF8M
34	SPRING WASHER	STAINLESS STEEL 316
35	HEX HEAD BOLT	ISO 3506 A4(AISI 316)
36	BEARING	STA INLESS STEEL 316 + PTFE
37	GLAND BUSH	ASTM A276 316
38	GLAND FLANGE	ASTM A240 316
39	STUD BOLT	ISO 3506 A4(AISI 316)
40	HEX NUT	ISO 3506 A4(AISI 316)
41	BRACKET LOCK PIN	ASTM A276 316
42	BRACKET	STAINLESS STEEL 316
43	SPRING WASHER	STAINLESS STEEL 316
44	HEX HEAD BOLT	ISO 3506 A4(AISI 316)
45	SPRING WASHER	STAINLESS STEEL 316
46	HEX HEAD BOLT	ISO 3506 A4(AISI 316)
47	KEY	STAINLESS STEEL 316

Cryogenic Dual Plate Check Valves



GMT dual plate check valves are supplied retainerless as standard. Our patented design does not have any threaded plugs in the pressure boundary and totally eliminates the potential leak path to atmosphere. This design meet fugitive emission control.

The seat is designed equal pressure at the plate with the state of stationary. The two semicircle plate responsiveness of opening and close is quick and it is strong against corrosion also has a strong durability.

The spring have been designed to endure stresses and also ensure operating without failure for much cycles. Full rubber lined valves to avoid corrosion inside are available.

STANDARD COMPLIANCE

- The face-to-face dimension shall be in accordance with API 594.

PRODUCTION RANGE

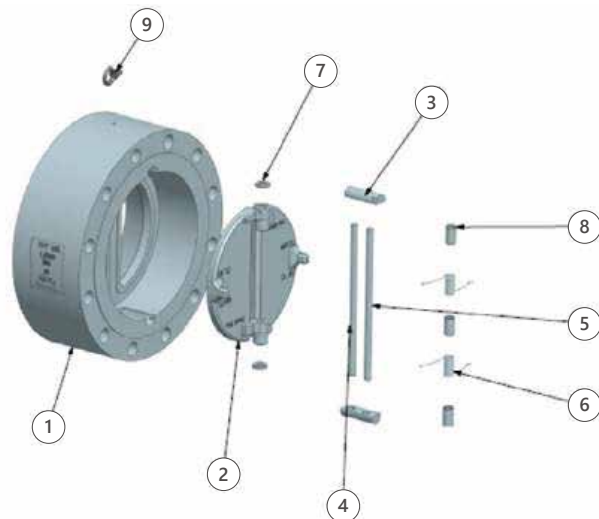
- Valve Size : 50mm (2in) ~ 3,600mm (144in)
- Working Temperature : -196°C ~ +650°C
- Working Pressure : up to 425bar

APPLICABLE FLANGE

- KS / JIS 5K / 10K / 16K / 20K / 30K / 40K / 63K
- BS EN 1092-1 PN6 / PN10 / PN16 / PN25 / PN40 / PN63 / PN100
- ASME B16.5, B16.47 Series A / B CLASS 150 / 300 / 600 / 900 / 1500 / 2500
- AWWA C207 CLASS B / D / E

PARTS LIST

NO	PART NAME	MATERIAL
1	BODY	Cast Iron, Ductile Iron, Carbon Steel, SS. Steel, Ni-Al Bronze
2	DISC	Stainless Steel, Bronze, Ni-Al Bronze
3	GUIDE	Stainless steel, Monel, Duplex
4	HINGE PIN	Stainless steel, Monel, Duplex
5	STOP PIN	Stainless steel, Monel, Duplex
6	TORSION SPRING	Inconel X-750
7	THRUST BEARING	Teflon, Stainless Steel
8	SPACER	Teflon, Stainless Steel
9	EYE BOLT	SS, Steel



Cryogenic Nozzle Check Valves



STANDARD COMPLIANCE

- The face-to-face dimension shall be in accordance with API 6D, ASME B16.10.

PRODUCTION RANGE

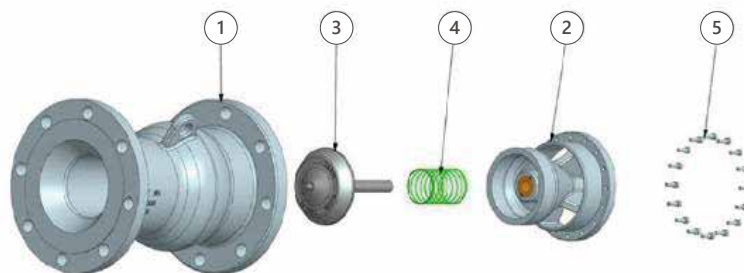
- Valve Size : 50mm (2in) ~ 1,500mm (60in)
- Working Temperature : -196°C~ +650°C
- Working Pressure : up to 425 bar

APPLICABLE FLANGE

- KS / JIS 5K / 10K / 16K / 20K / 30K / 40K / 63K
- BS EN 1092-1 PN6 / PN10 / PN16 / PN25 / PN40 / PN63 / PN100
- ASME B16.5, B16.47 Series A / B CLASS 150 / 300 / 600 / 900 / 1500 / 2500
- AWWA C207 CLASS B / D / E

VALVE FEATURES

- Designed by Computational Fluid Dynamics (CFD).
- Metal-to-metal seated design.
- Tight shut-off is obtained by means of metal-to-metal sealing.
- Spring-loaded disc design allows mounting in any orientation.
- Short stroke length reduces closure time and minimizes water hammer.
- Low pressure drop to avoid cavitation and turbulence.
- Short light-weight disc & fast-closing spring design protects the piping against sudden surge.

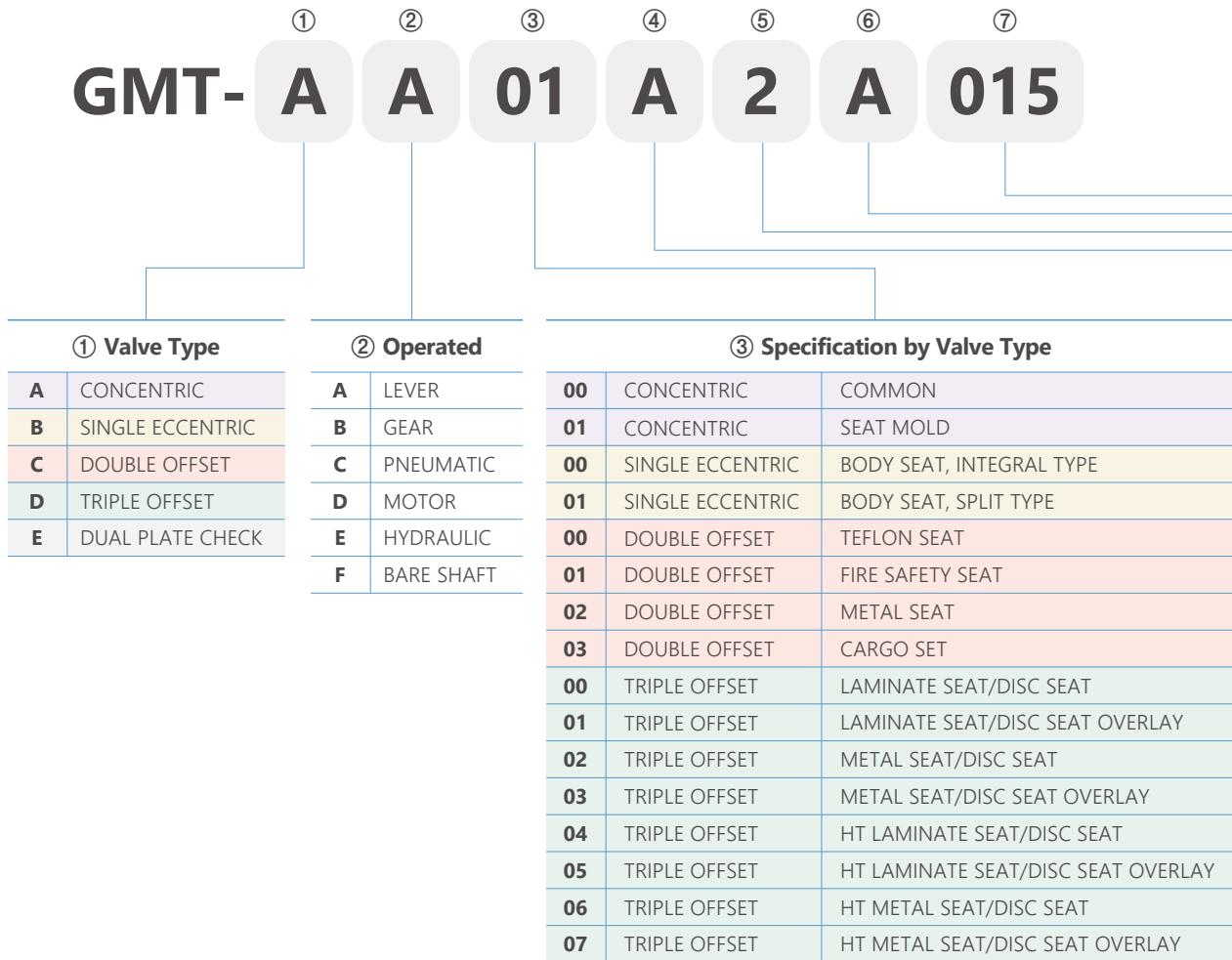


PARTS LIST

NO	PART NAME	MATERIAL
1	BODY	Carbon steel, Stainless Steel, Bronze, Ni-Al Bronze
2	DIFFUSER	Carbon steel, Stainless Steel, Bronze, Ni-Al Bronze
3	DISC	Carbon steel, Stainless Steel, Bronze, Ni-Al Bronze
4	COIL SPRING	Inconel X-750
5	DIFFUSER BOLT	SS, Steel

Valve Model Coding Manual

This manual provides a clear overview of how each code defines a valve's specifications and helps you create accurate model numbers with ease. It summarizes valve type, operation method, seat specification, flange standard, pressure rating, end connection, and size in a simple coded structure. Use it as a quick reference for product selection, quotation, and design checks.



Contact us



General Enquiries : +82-051-711-9790

Direct Sales Line : +82-70-4871-5553



E-mail : gmtv@gomotec.com

Homepage : www.gomotec.com

④ Flange		⑤ Rating		⑥ End conn'		⑦ Valve Size	
A	ASME_B16.5	1	CLASS 125	A	WAFER	005	2"(50A)
		2	CLASS 150	B	FLANGE FF	006	2 1/2"(65A)
B	ASME_B16.47_Series_A	3	CLASS 250	C	FLANGE RF	008	3"(80A)
		4	CLASS 300	D	LUG FF	010	4"(100A)
C	ASME_B16.47_Series_B	5	CLASS 400	E	LUG RF	012	5"(125A)
		6	CLASS 600	F	WAFER RTJ	015	6"(150A)
E	ASME_B16.1	7	CLASS 900	G	FLANGE RTJ	020	8"(200A)
		8	CLASS 1500	H	LUGGED RTJ	025	10"(250A)
M	MSS_SP-44	9	CLASS 2500			030	12"(300A)
		W	AWWA_C207	1	CLASS B	035	14"(350A)
2	CLASS D			040	16"(400A)		
3	CLASS E			045	18"(450A)		
4	CLASS F			050	20"(500A)		
J	JIS	1	5 kg/cm ²	055	22"(550A)		
		2	10 kg/cm ²	060	24"(600A)		
		3	16 kg/cm ²	065	26"(650A)		
		4	20 kg/cm ²	070	28"(700A)		
K	KS	5	30 kg/cm ²	075	30"(750A)		
		6	40 kg/cm ²	080	32"(800A)		
		7	63 kg/cm ²	085	34"(850A)		
D	DIN	1	PN 6	090	36"(900A)		
		2	PN 10	095	38"(950A)		
		3	PN 16	100	40"(1000A)		
		4	PN 25	105	42"(1050A)		
P	BS_EN_1092-1	5	PN 40	110	44"(1100A)		
		6	PN 63	115	46"(1150A)		
		7	PN 100	120	48"(1200A)		
S	MAKER_STANDARD						

GMTV26V07



Scan QR code with
your smartphone and
visit our website!

